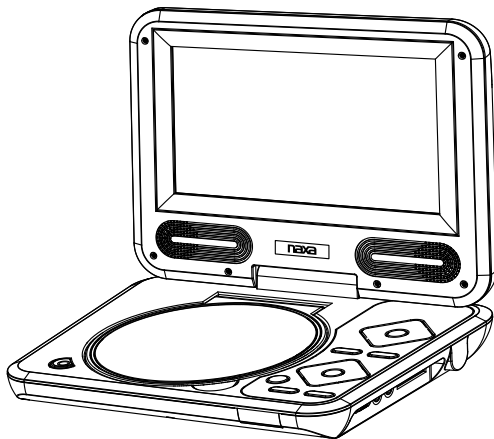


**naxa**

NPD-702

## INSTRUCTION MANUAL



**7" PORTABLE DVD PLAYER WITH USB/SD/MMC INPUTS**

## WARNING

TO REDUCE THE RISK OF FIRE OR ELECTRIC SHOCK, DO NOT EXPOSE THIS APPLIANCE TO RAIN OR MOISTURE.

## CAUTION

Use of controls or adjustments or performance of procedures other than those specified herein may result in hazardous radiation exposure.

This Compact Disc player is classified as CLASS 1 LASER product.



## CAUTION!

Invisible laser radiation when open and interlocks defeated. Avoid exposure to beam.



## FOR SAFE AND EFFICIENT OPERATION

- Do not damage the mains lead.  
When not in use, disconnect the mains lead from the outlet. Grasp the plug, not the mains lead, when disconnecting the unit.
- If water should enter the unit, electrical shock or a malfunction may result. Use in an area where there is low humidity and little dust.
- Do not disassemble or alter the unit in any way.
- Do not use the unit in areas where extremes in temperature occur (below 5°C or exceeding 35°C), or where it may be exposed to direct sunlight.
- Because of the CD player's extremely low noise and wide dynamic range, there is a tendency to turn the volume on the amplifier higher than necessary. Doing so may produce an

excessively high output from the amplifier which can cause damage to your speakers. Please be careful in this regard.

- Sudden changes in the surrounding temperature can cause dew to form on the optical pickup lens inside the unit. Under this condition the unit may be unable to operate properly. If this should occur, remove the disc and allow the player to adjust to the surrounding temperature.
- This unit must be operated in a horizontal position.
- Please use the original DVD or VCD or CD or MP3 software, and any copy discs are not recommendable for use.
- The ventilation should not be impeded by covering the ventilation openings with items, such as newspapers, table-cloths, curtains, etc;
- No naked flame sources, such as lighted candles, should be placed on the apparatus;
- It shall not be exposed to dripping or splashing and that no objects filled with liquids, such as vases, shall be placed on the apparatus;
- Do not place the product in closed bookcases or racks without proper ventilation.
- Where the mains plug or an appliance coupler is used as the disconnect device, the disconnect device shall remain readily operable.
- Batteries (battery pack or batteries installed) shall not be exposed to excessive heat such as sunshine, fire or the like.
- Excessive sound pressure from earphones and headphones can cause hearing loss.

To prevent fire or shock hazard, do not expose this appliance to dripping or splashing. No objects filled with liquids, such as vases, shall be placed on the apparatus.

**THIS UNIT SHOULD NOT BE ADJUSTED OR REPAIRED BY ANYONE EXCEPT PROPERLY QUALIFIED SERVICE PERSONNEL.**

## POWER SUPPLY

There are two ways to supply power: AC power supply and Lithium battery power supply.

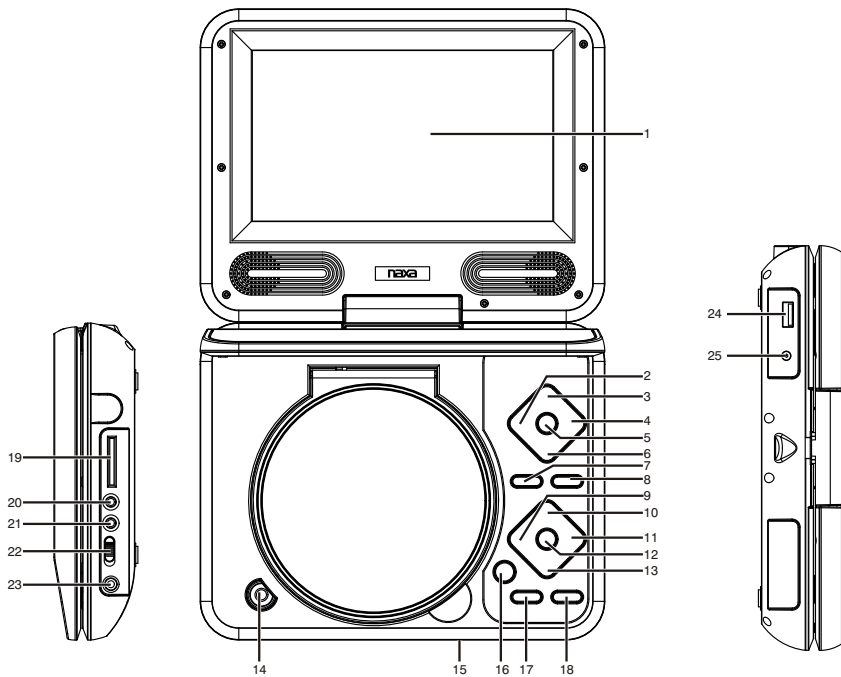
### AC power operation

Connect one end of the mains lead to the DC ~IN socket and the other end to an AC outlet, and set the POWER ON/POWER OFF select switch to POWER ON.

### Lithium battery power supply

When the lithium battery be full charged, push the POWER ON/POWER OFF select switch to POWER ON, the unit will start work.

Once you connect the unit to the AC outlet, the lithium battery will be charged. The indicator light has been flashing during charge period.

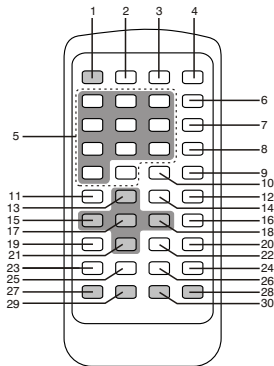


GB-4

## THE FUNCTION PARTS OF THE UNIT

1. TFT screen
2. Left button  
In the menu interface , press the key to move left the option, then press"OK" key to enter the current location.
3. Upward/ Previous song button:  
In the menu interface , press the key to move up the option, then press"OK" key to enter the current location.  
In the CD/VCD/DVD play interface, press the key to enter previous song
4. Right button  
In the menu interface, press the key to move left the option, then press"OK" key to enter the current location.
5. OK button
6. Downward/ Next button  
In the menu interface , press the key to move down the option, then press"OK" key to enter the current location.  
In the CD/VCD/DVD play interface, press the key to enter next song.
7. Setup button: Enter DVD setup menu.
8. Menu button:  
In CD/VCD play mode ,open or close PBC.  
In DVD play mode, enter song play menu.
9. Volume- button
10. USB/SD card button
11. Volume+ button
12. Repeat button
13. Audio button
14. CD/VCD/DVD Compartment Lid open button
15. indicator light:  
In work state, indicator light display green, in standby state, indicator light display red.
16. Mode button:  
Enter display setup menu to set Brightness, Contrast, Color, FLIP, MODE, Reset.
17. Stop button
18. Pause/play button
19. SD/MMC card socket
20. AV OUT socket
21. COAXIAL socket
22. POWER ON/POWER OFF select switch
23. Phone socket
24. USB socket
25. DC~IN socket

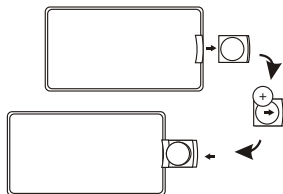
## REMOTE CONTROL



1. STANDBY button
2. USB/CARD button
3. DISPLAY button
4. MUTE button
5. Number button
6. REPEAT button
7. A-B button
8. GOTO button
9. STOP button
10. TITLE button
11. SETUP button
12. VOL+ button
13. Upward button
14. ZOOM button
15. LEFT button
16. VOL- button
17. OK button
18. RIGHT button
19. AUDIO button
20. PLAY/PAUSE button
21. Downward button
22. SUBTITLE button
23. Fast Recede button
24. Next song button
25. Fast forward button
26. Previous song Button
27. LCD-MODE button
28. MENU/PBC button
29. N/P button
30. PROG button

### CAUTION

1. When using the remote controller ,make sure the remote controller directly to the remote sink of the unit ,and avoid operating in the 45°C and 5m range having no any bar.
2. When the remote controller doesn't use ,change the battery as right picture.
3. If the battery isn't used for a long time ,take out it .



## INSTRUCTION TO KEYSTROKES OF REMOTE CONTROLLER

1. Standby button: switch on/off the unit.
2. USB/CARD button: when insert USB or CARD, press this button to play song in the USB or CARD.
3. Display button: display the information of current song.
4. Mute: mute control
5. Repeat button:

Each press the REPEAT button will change the repeat mode. During MP4/VCD/CD playback, there are three modes: Repeat single, Repeat all and off. During DVD playback, there are four modes: Repeat chapter, Repeat Title, Repeat all and off. Note: During VCD playback, the PCB mode must be set to off.

### 6. A-B button:

Repeat play between A-B point for all discs.

- 1) Press "A-B" button once at the point where repeat play is started. ("Rep A-" appears on the TFT screen.)
- 2) Press "A-B" button again at the point where repeat play is stopped. ("Rep A-B" appears on the TFT screen)
- 3) To cancel, press "A-B" button again.

### 7. GOTO button:

Press this button enter into search interface, such as:

Search	
Title	16
Chapter	1
Time	00:00:03

Press upward/downward button to move high light bar to select item you desired, then press left or right button to set the value, or press number buttons to set the value.

8. Title button: press this button to display disc's played title.
9. Stop button: stop play.
10. Setup button: enter into the DVD setup interface.
11. Upward/Downward button: press the key to move up/down the option, then press "OK" button to enter the current location.
12. Left/Right button: press the key to move left/right the option, then press "OK" button to enter the current location.



13. OK button: press to enter an item in the menu or to confirm and execute a selection.
14. Zoom button: repeat this button in turn to Q1,Q2,Q3, Q4, off.
15. Vol-/+: turn down/up the volume.
16. Audio button: enter into Audio setup menu, repeat press this button to select left, right and stereo audio.
17. Subtitle button: The button's function is switch subject title in DVD disc play mode. ( One DVD disc has over 32 kind of language ).
18. Play/Pause button: Switch between Play and Pause.
19. ◀◀ Fast backward search button
20. ▶▶ Fast forward search button
21. ◀◀ Pre-view SKIP button
22. ▶▶ Next-view SKIP button
23. LCD-MODE button: Enter display setup menu to set Brightness,Cinrast,Color,Flip, Mode,Reset.
24. N/P button: switch between PAL mode and NTSC mode.
25. PROG button: press PROG button, enter desired track in sequence by setting the program play.  
Press this button enter into program play interface, such as:  
When playing DVD:

Program			
1	.....	.....	Play
2	.....	.....	
3	.....	.....	Clear program

When playing VCD:

Program			
1	.....		Play
2	.....		
3	.....		Clear program

Press upward/downward/left/right button to move high light to design point, then press number button to set title and chapter which you desired. Move the high light to “play” after finishing the setup of the program play, then press OK button, the unit will play the DVD DISC in sequence according to the program sequence you just do. If you want to cancel the program play, move the high light to “Clear program”, then press OK button.

Tip: When play DVD disc, you must input title and chapter, and when play VCD, you just only input chaper.

26. Menu:

In CD/VCD play mode ,open or close PBC.  
In DVD play mode, enter song play menu.

## GENERAL OPERATION

1. Connect one end of the mains lead to the DC ~IN socket and the other end to an AC outlet, the indicator light will display red.
2. Press the CD/VCD/DVD Compartment Lid open button to open the Compartment Lid, put the DISC in.
3. Set the POWER ON/POWER OFF select switch to POWER ON, the indicator light will

display green, and the unit will automatically play the DISC.

4. Press the Play/Pause button to pause the play, press twice to resume play.
5. Press Stop button to stop the play.
6. Press power button to switch off the unit, the indicator light will display red.

## DVD PLAYING OPERATION

1. Open the unit, after inserting the disc , close the cover , then the unit will play automatically.

(Press some invalid button, the screen will show "not allowed at the moment". )

### 2. Title/Chapter Search

(1) Some discs will have many title, each title will have many chapters. Press Title button on the remote controller in playing, the screen will show title.

(2) Press upward/downward/left/right button to select expected title, then press "OK" button to play.

(3) Select playing tracks chapter with number key "0-9" and "10+" (the entering number must less than the total chapter number), then press "ENTER" to play.

### 3. Previous and next

During playing, press "◀" "▶" button of the remote controller, each time press the button, jump a chapter to playing.

Press "◀", playing from the next chapter;  
press "▶", playing from the previous chapter.

### 4. Fast forward and fast backward

(1) Press the "▶▶" button or "◀◀" button to activate fast forward or fast backward function.

(2) Each time you touch the "▶▶", the fast forward speed goes from forward X2, forward X4, forward X8, forward X16 to normal playback.

(3) Each time you touch the "◀◀", the fast backward speed goes from backward X2, backward X4, backward X8, backward X16 to normal playback.

#### 5. Pausing disc play

(1) Press the "⏸" button to make the disc pause.

(2) Press the "⏸" button again to start playing again.

#### 6. Stopping playback

(1) Press the "■" button once, stop playing, press the button again to stop all play backs without last memory.

(2) Press the "⏸" button to resume from where it is stopped or start play.

#### 7. Change the subtitle

This function only available when there are two or more subtitle languages recorded in the disc.

Press "SUBTITLE" button on the remote controller while playing to change between available subtitle languages. Repeatedly press the button, the subtitle language change

among English, Spanish, French, Chinese, subtitle on, subtitle off.

Some discs record most 32 languages. Please see most subtitle marks on the disc, the number show how many languages had recorded.

#### 8. Switching the Audio Languages

This function only available when there are two or more audio languages recorded in the disc.

Press "AUDIO" button on the remote controller, each time press it, you can switch between available languages.

Some of disc can record 8 audios. Detailed condition, please see language mark on the disc. The number had showed the recorded language.

The function may not work with some disc or during some courses. It may require some time to switch between audio language.

#### 9. Repeat function

Press the "REPEAT" button on the remote controller to repeat playing.

Press the first time, showing current repeat mode, select repeat mode according to pressing times, repeat mode is circle as below:  
repeat All → repeat chapter → repeat title.

#### 10.Repeat segment

Press "A-B" button on the remote controller to select expected playing segment, the default is off.

Press once, the repeat begin from A

Press twice, the repeat end from B

Press third, close the repeat function.

#### 11.Screen display playing status

When playing and then press "DISPLAY" button on the remote controller, the screen will display the playing status: title playing time, title remainder time, chapter playing time, chapter remainder time.

## SETUP THE DVD MENU FUNCTION

Press "SETUP" button on the remote controller or the unit, the screen will show setup menu. Press direction key (upward/downward/left/right button) to move the highlight and set the items, press OK button to confirm. Press the "SETUP" button for the second time, the unit will exit setup interface.

#### 1. Language setting

##### (1) Language

English

French

Spanish

Deutsch

Italian

Portuguese

Swedish

中文

##### (2) Subtitle

English

French

Spanish

German

Italian

Portuguese

Swedish

Chinese

Auto

Off

##### (3)DIVX subtitle

ASCII

Unicode

Turkish

Central European

Cyrillic

Chinese

- (4) Audio
  - English
  - French
  - Spanish
  - German
  - Italian
  - Portuguese
  - Swedish
  - Chinese

- (5) DVD menu
  - English
  - French
  - Spanish
  - German
  - Italian
  - Portuguese
  - Swedish
  - Chinese

- 2. Video setting
  - (1) Aspect Ratio
    - 4:3 LB
    - 4:3 PS
    - 16:9
  - (2) TV System
    - NTSC
    - PAL
    - Auto

- 3. Audio setting
  - (1) Digital Output
    - Off
    - PCM
    - All
  - (2) Night Mode
    - Off
    - On
  - (3) Down sampling
    - Off
    - On
  - (4) Smart Sound
    - Off
    - classical
    - Rock
    - Jazz
    - Pop

- 4. Misc Setting
  - (1) Use Default Setting
    - Move the high light to the “Use Default Settings”, then press OK button, it will show “Do you want to use default setting?” you can select yes or no.
  - (2) Screen saver
    - Off
    - On
  - (3) Enable
    - Off
    - On

## VCD PLAYING OPERATION

After selecting the disc, the playing mode auto form. The function whether or not work according to some the story of the disc. If the VCD disc with PBC function, it will start playing after the menu screen displaying.

1. Title/Chapter playing (The disc must have PBC function and the PBC is on)

When playing, press " Menu " button , the screen will show title. Press number key "0-9" and "10+" to select expected chapter (the entering number must less than the total chapter number).

2. Previous and next

During playing, press "◀◀" "▶▶" button of the remote controller, each time press the button, jump a chapter to playing.

Press "◀◀", playing from the next chapter; press "▶▶", playing from the previous chapter.

3. Fast forward and fast backward

(1) Press the "▶▶" button or "◀◀" button to activate fast forward or fast backward function.

(2) Each time you touch the "▶▶", the fast forward speed goes from forward X2, forward X4, forward X8, for ward X16 to normal playback.

(3) Each time you touch the "◀◀", the fast backward speed goes from backward X2, backward X4, backward X8, backward X16 to normal playback.

4. Pausing disc play

(1) Press the "⏸" button to make the disc pause.

(2) Press the "⏸" button again to start playing again.

5. Stopping playback

(1) Press the "■" button once, stop playing, press the button again to stop all play backs without last memory.

(2) Press the "⏸" button to resume from where it is stopped or start play.

6. Repeat function

Press the "REPEAT" button on the remote controller to repeat playing.

Press the first time, showing current repeat mode, select repeat mode according to pressing times, repeat mode is circle as below: repeat single → repeat all → repeat off.

7. Repeat segment

Press "A-B" button on the remote controller to select expected playing segment,

the default is off.

Press once, the repeat begin from A

Press twice, the repeat end from B

Press third, close the repeat function.

#### 8. Screen display playing status

When playing and then press "DISPLAY" button on the remote controller, the screen

will display the playing status: Track, chapter playing time, chapter remainder time.

#### 9. Change the audio output

Press the "AUDIO" button when playing, each time you press, the sound modes will change in sequence. Switch among: Left, Right, Mix, Stereo.

## JPEG PLAYING OPERATION

JPEG disc is formed by many lists, each list has many JPEG pictures.

After selecting disc and play it, the unit will auto play JPEC disc.

Press "Upward " or "Downward" or "Left" or

"Right" button on the remote controller to select different picture.

Press " OK " button to play selected picture.

Press "left" button to return menu.

## MP3/MP4 PLAYING OPERATION

1. MP3 is formed by many lists (folders ), each list has many MP3 tracks.

After selecting disc and play it, the unit will auto play MP3 mode.

Press " upward" or "downward" button to select page.

Press "upward", "downward", " left " and " right " button to select track.

Press " OK" to playing selected track.

Press "left" button to return folder.

2. Fast forward and fast backward

(1)Press the "▶▶" button or "◀◀" button to activate fast forward or fast backward function.

(2)Each time you touch the "▶▶", the fast forward speed goes from forward X2, forward X4,forward X8, for ward X16 to normal playback.

(3)Each time you touch the "◀◀", the fast backward speed goes from backward X2,

backward X4, backward X8, backward X16 to normal playback.

### 3. Pausing disc play

(1) Press the "⏸" button to make the disc pause.

(2) Press the "⏸" button again to start playing again.

### 4. Stopping playback

(1) Press the "■" button once, stop playing, press the button again to stop all play backs without last memory.

(2) Press the "⏮" button to resume from where it is stopped or start play.

### 5. Repeat function

When playing, press "repeat" to select repeat function. Press once to select a track

repeat; Press twice to select folder or dir repeat; Press third to select repeat all disc; Press four close.

Repeat mode: repeat " OFF " → repeat " ONE " → repeat " DIR " → repeat " ALL ".

### 6. Repeat segment

Press "A-B" button on the remote controller to select expected playing segment, the default is off.

Press once, the repeat begin from A

Press twice, the repeat end from B

Press third, close the repeat function.

### 7. Screen display playing status

When playing or stop, press "display" button on the remote controller to show current track playing time or remainder time.

## CD PLAYING OPERATION

After selecting the disc and play it, the unit will auto play CD (If press the button on the unit or the remote controller without function, the screen will show "not allowed at the moment").

### 1. Select number to play at first hand.

Press number button "0~9" and "10+" on the remote controller to select song

according to track number (if the track number over the disc range, the input is invalid).

Eg: If you select twelfth track, press "10+" first and then press "2" to select it.

### 2. Previous and next

During playing, press "⏮" "⏭" button of the remote controller, each time press the button,



jump a chapter to playing.

Press "◀", playing from the next chapter;  
press "▶", playing from the previous chapter.

### 3. Fast forward and fast backward

(1) Press the "▶" button or "◀" button to activate fast forward or fast backward function.

(2) Each time you touch the "▶", the fast forward speed goes from forward X2, forward X4, forward X8, forward X16 to normal playback.

(3) Each time you touch the "◀", the fast backward speed goes from backward X2, backward X4, backward X8, backward X16 to normal playback.

### 4. Pausing disc play

(1) Press the "⏸" button to make the disc pause.

(2) Press the "⏸" button again to start playing again.

### 5. Stopping playback

(1) Press the "■" button once, stop playing, press the button again to stop all play backs without last memory.

(2) Press the "⏸" button to resume from where it is stopped or start play.

### 6. Repeat playing

When playing, press "REPEAT" button to select repeat playing function.

Press once, repeat playing the current track.  
Press twice, repeat playing the current disc.  
Press third times, close repeat playing function.

Repeat mode: repeat " OFF " → repeat " ONE " → repeat " ALL ".

### 7. Repeat segment

Press "A-B" button on the remote controller to select expected playing segment, the default is off.

Press once, the repeat begin from A

Press twice, the repeat end from B

Press third, close the repeat function.

### 8. Screen display playing

When playing, press "display " to show round current track playing time, current track remainder time, all disc playing time and all disc remainder time.

## USB/SD CARD PALY

Insert the USB or SD card to the USB socket or SD/MMC socket, press “USB/CARD” button on the remote controller, the unit will read the information on the USB or SD card. The next steps as operation DVD

## SPECIFICATIONS

Compatibility:

DISC DVD/VCD/MP3

Mode: PAL/NTSC

Screen size: 7 inch

Power: 0.8Wx2

DC power supply: 12V, 1.5A

Work temperature: 5°C~35°C

Lithium Battery: 7.4V/1750mAh

Dimensions : 210x 164 x 41 mm

(W) x (H) x (D)

weight (approx) : 822.5g (excluding batteries)

Accessory: instruction book,

remote controller, AV cord, power adaptor,

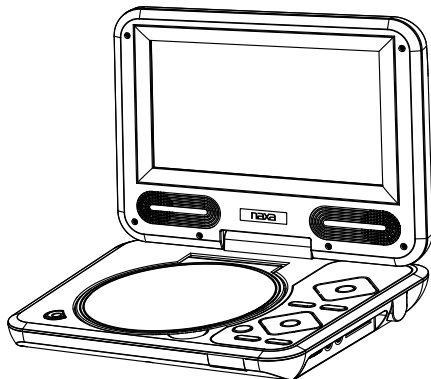
power supply by car plug, assurance card.

● Specifications subject to change without notice.

**naxa**

**NPD-702**

**REPRODUCTOR DE DISCO VERSATIL DIGITAL (DVD)  
CON PANTALLA INTEGRADA**



**Manual de Operación**

**FAVOR DE LEER ESTE MANUAL COMPLETAMENTE ANTES DE OPERAR Y/O CONECTAR ESTE PRODUCTO.**

**CONSERVAR EL MANUAL PARA FUTURAS REFERENCIAS.**

### ADVERTENCIA

PARA REDUCIR EL RIESGO DE FUEGO O CHOQUE ELECTRICO, NO EXPONER ESTE PRODUCTO A LA LLUVIA, HUMEDAD, GOTEO O SALPICADURA DE AGUA.

### PRECAUCION

El uso de controles, ajustes o procedimientos diferentes a los especificados en este manual puede resultar en exposición a radiación láser peligrosa.

Este reproductor de disco compacto esta clasificado como un producto LASER CLASE 1.



### PRECAUCION

Radiación láser invisible existe cuando abre el compartimiento del disco y libera los seguros. Evitar la exposición a la radiación láser.



## PARA SEGURIDAD Y UNA OPERACIÓN EFICIENTE

- No dañar el cordón de alimentación de los adaptadores. Cuando no use el reproductor, desconectar el cordón de alimentación del tomacorriente. Para desconectarlo, sujetarlo de la clavija y retirarlo; nunca jalarlo del cordón mismo.
- Si se derrama agua o algún otro líquido en el interior de la unidad, esto puede resultar en riesgo de fuego, choque eléctrico o mal funcionamiento. Usar este producto en un lugar con humedad baja y poco polvo.
- No desensamblar o alterar este producto de ninguna manera.
- No usar este producto en áreas donde pueden ocurrir temperaturas extremas (menores a 5 °C o mayores a 35 °C) o donde este expuesto bajo los rayos directos del sol.
- Debido a que el ruido del reproductor es bajo y el rango dinámico es ancho, existe una tendencia de aumentar el volumen amplificando tanto como es necesario. Hacer esto puede producir una salida excesivamente alta del amplificador lo que puede causar daños a las bocinas. Favor de tener cuidado con este punto.

- Cambios repentinos en la temperatura ambiente pueden causar gotas de rocío en el interior del lente láser, bajo esta condición la unidad puede no operar adecuadamente. Si esto ocurre, remover el disco y dejar que el reproductor se ajuste a la temperatura ambiente.
- Este producto debe operarse en posición horizontal.
- Favor de usar programas originales de DVD, VCD, CD o MP3, no se recomienda el uso de discos copiados.
- No debe impedirse la adecuada ventilación del producto cubriendo las ranuras de ventilación con artículos como son periódicos, manteles, cortinas, etc.
- No se deben colocar encima de este producto fuentes generadoras de flamas como son velas, veladoras.
- Este producto no debe ser expuesto al goteo o salpicadura de agua, a la lluvia o humedad. No se deben colocar objetos llenos con líquidos como vasos encima de este producto.
- No colocar este producto en libreros cerrados o áreas sin adecuada ventilación.
- Cuando la clavija de los adaptadores o un aparato acoplador son usados como un dispositivo de desconexión, el dispositivo de desconexión permanece realmente operable.
- El paquete de baterías o baterías instaladas no deben ser expuestas al calor excesivo como bajos los rayos directos del sol, fuego o calor.
- El uso de los audífonos a volumen de audio alto puede causar daños al sistema auditivo.

**Para prevenir riesgos de fuego o choque eléctrico, no exponer este producto al goteo o salpicadura de agua, la lluvia o humedad. No colocar objetos llenos con líquidos como vasos encima de este producto.**

**ESTA PRODUCTO NO DEBE SER AJUSTADO O REPARADO POR CUALQUIER PERSONA EXCEPTO POR EL CENTRO DE SERVICIO AUTORIZADO O POR PERSONAL CALIFICADO**

## FUENTES DE ALIMENTACION

**Este producto tienes dos tipos de fuente de alimentación:**

Fuente de alimentación a través del adaptador ca/cc o adaptador para automóvil cc/cc

Fuente de alimentación a través de la batería recargable de litio.

**Operación con los adaptadores:**

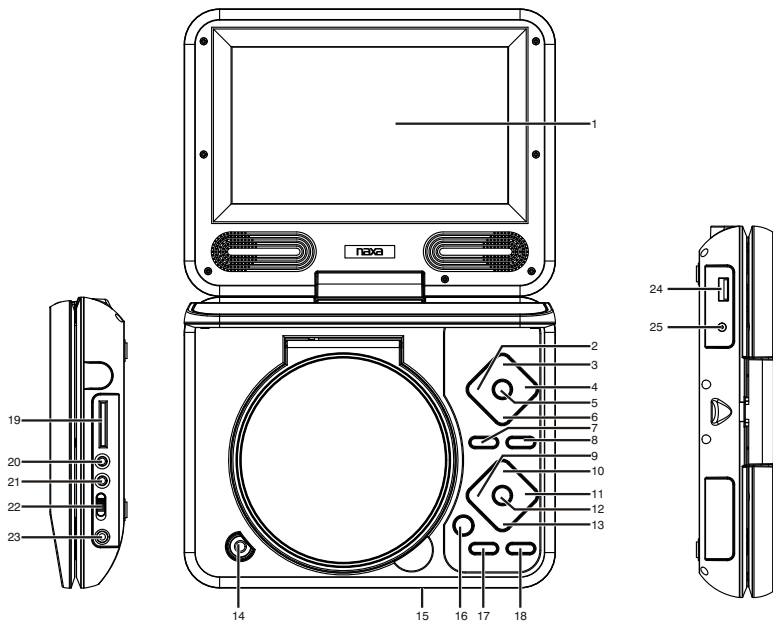
Conectar la salida del adaptador al conector de entrada de Vcc del aparato y conectar el otros extremo al tomacorriente (adaptador ca/cc) o al encendedor de cigarros del automóvil (adaptador cc/cc), entonces ajustar el selector de Encendido/Apagado al modo de ENCENDIDO

**Operación con la batería recargable:**

Cuando la batería recargable esta cargada completamente, colocar el selector de Encendido/Apagado al modo de ENCENDIDO y la unidad empezara a operar con la batería si los adaptadores están desconectados.

Para cargar la batería, conectar la salida del adaptador ca/cc al conector de entrada de Vcc del aparato y conectar el otro extremo al tomacorriente, entonces ajustar el selector de Encender/Cargar al modo de CARGAR y la batería de litio empezara a cargarse, el indicador de carga se enciende en color verde y permanece destellando durante el proceso de carga.

## DESCRIPCION DE PARTES



ES-4

## DESCRIPCION DE PARTES

### 1. Pantalla

### 2. Botón de izquierda

En la interfase del menú, presionar este botón para desplazarse a la opción izquierda, entonces presionar "OK" para entrar a la opción actual.

### 3. Botón de Arriba / Anterior

En la interfase del menú, presionar este botón para desplazarse a la opción arriba, entonces presionar "OK" para entrar a la opción actual.

En la interfase de reproducción de un CD/VCD/DVD presionar este botón para saltar a la pista, capítulo o título anterior.

### 4. Botón de derecha

En la interfase del menú, presionar este botón para desplazarse a la opción derecha, entonces presionar "OK" para entrar a la opción actual.

### 5. Botón de aceptar "OK"

### 6. Botón de Abajo / Siguiente

En la interfase del menú, presionar este botón para desplazarse a la opción abajo, entonces presionar "OK" para entrar a la opción actual.

En la interfase de reproducción de un CD/VCD/DVD presionar este botón para saltar a la pista, capítulo o título siguiente.

### 7. Botón de ajustes

Presionar este botón para entrar al menú de ajustes del DVD

### 8. Botón de menú

En el modo de reproducción de un CD/VCD, presionar para activar o desactivar el control de reproducción "PBC"

En el modo de reproducción de un DVD, presionar para

entrar al menú de reproducción de las canciones.

9. Botón para disminuir volumen

10. Botón para seleccionar tarjeta de memoria SD o memoria USB.

11. Botón para incrementar volumen.

12. Botón de repetición.

13. Botón de audio.

14. Botón para abrir la tapa del compartimiento del disco.

15. Luz indicadora

En el modo de operación, la luz indicadora se ilumina en color verde.

En modo de espera, la luz indicadora se ilumina en color rojo.

16. Botón de modo

Despliega el menú de ajustes para ajustar el Brillo, Contraste, Color, Rotar, Modo, Restablecer.

17. Botón de detener.

18. Botón de Reproducir / Pausar

19. Ranura para tarjeta de memoria MMC/SD

20. Conector de salida de Audio/Video (A/V)

21. Conector de salida Coaxial

22. Selector de Encendido/Apagado

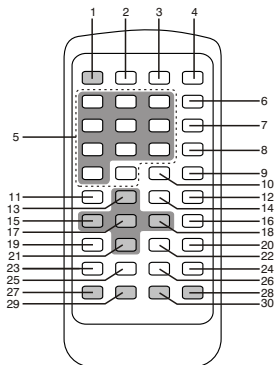
23. Conector para audífonos

24. Conector para memoria USB

25. Conector de entrada de Vcc



## CONTROL REMOTO

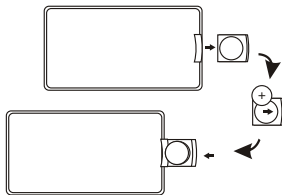


1. Botón de espera
2. Botón de tarjeta SD / Memoria USB
3. Botón de despliegue
4. Botón de silencio
5. Botones numéricos
6. Botón de repetir
7. Botón de repetir sección A-B
8. Botón de ir
9. Botón de detener
10. Botón de título
11. Botón de ajustes
12. Botón de incrementar volumen
13. Botón de arriba
14. Botón de acercamiento
15. Botón de izquierda

16. Botón de disminuir volumen
17. Botón de aceptar
18. Botón de derecha
19. Botón de audio
20. Botón de Reproducir/Pausar
21. Botón de abajo
22. Botón de subtítulo
23. Botón de regreso rápido
24. Botón de siguiente
25. Botón de avance rápido
26. Botón de anterior
27. Botón de Modo-LCD
28. Botón de Menú / PBC
29. Botón de NTSC / PAL
30. Botón de programa

### PRECAUCION

1. Al usar el control remoto, asegúrese que el control remoto se dirige directamente al sensor remoto de la unidad con un ángulo de  $45^\circ$  a los lados y una distancia de 5 metros.
2. Si el control remoto no opera adecuadamente reemplazar la batería como se indica en las figuras a la derecha.
3. Cuando el control remoto no va ser usado por un periodo largo de tiempo, favor de retirar la batería para evitar daños debido a la fuga de acido de la batería.



## FUNCIÓN DE LOS BOTONES DEL CONTROL REMOTO

1. Botón de espera: Presionar para encender o pasar al modo de espera la unidad.
2. Botón de SD/USB: AL insertar una memoria USB o tarjeta de memoria SD/MMC, presionar este botón para reproducir las pistas en la USB o tarjeta.
3. Botón de despliegue: Presionar para desplegar la información de la canción actual.
4. Botón de silencio: Presionar para desactivar la salida de audio.
5. Botones numéricos 0 - 9
6. Botón de repetir: Cada vez que presiona este botón se cambia el modo de repetición. Durante la reproducción de MP4/VCD/CD existen tres modos: Repetir una, Repetir todo y Desactivar. Durante la reproducción de un disco DVD existen cuatro modos: Repetir capítulo, Repetir Título, Repetir todo y desactivar. Nota: Durante la reproducción de VCD, el modo de PBC debe estar desactivado.
7. Botón de repetir A-B: Presionar para repetir una sección A-B de una pista. 1) Presionar "A-B" para definir el punto inicial "A" ("Rep A" se despliega en la pantalla). 2) Presionar "A-B" nuevamente para definir el punto final "B" ("Rep A-B" se despliega en la pantalla) y la sección definida entre los puntos A-B se repite continuamente. 3) Presionar "A-B" nuevamente para cancelar la función.
8. Botón de ir: Presionar para entrar a la interfase de búsqueda como sigue:

Search	
Title	16
Chapter	1
Time	00:00:03

Presionar "▲ o ▼" para seleccionar la opción deseada, entonces presionar "◀ o ▶" para ajustar el valor o presionar los botones numéricos para ajustar los valores directamente.

9. Botón de detener: Presionar para detener la reproducción.
10. Botón de título: Presionar para desplegar el título del disco en reproducción.
11. Botón de ajustes: Presionar para entrar a la interfase de ajustes del DVD.
12. Botón de Vol+: Presionar para incrementar el volumen.
13. Botón de arriba: Presionar para mover arriba la opción, entonces presionar "OK" para entrar en la opción actual.
14. Botón de acercamiento: Presionar para acercar la imagen en Q1, Q2, Q3, Q4 y desactivado.
15. Botón de izquierda: Presionar para mover a la izquierda la opción, entonces presionar "OK" para entrar en la opción actual.
16. Botón de Vol-: Presionar para disminuir el volumen.
17. Botón de aceptar: Presionar para entrar a una opción o para confirmar y ejecutar una selección.

## FUNCIÓN DE LOS BOTONES DEL CONTROL REMOTO

18. Botón de derecha: Presionar para mover a la derecha la opción, entonces presionar "OK" para entrar en la opción actual.
19. Botón de audio: Presionar para entrar al menú de ajustes de audio, presionar repetidamente este botón para seleccionar canal izquierdo, derecho o estereo.
20. Botón de reproducir/pausar: Presionar para iniciar la reproducción, presionar nuevamente para pausar la reproducción. Presionar por tercera vez para volver a la reproducción.
21. Botón de abajo: Presionar para mover abajo la opción, entonces presionar "OK" para entrar en la opción actual.
22. Botón de subtítulo: La función de este botón esta sujeto al título en el modo de reproducción del disco DVD (Un disco DVD puede tener hasta 32 tipos de idiomas).
23. Botón de regreso rápido (◀◀): Presionar para regresar rápidamente durante la reproducción.
24. Botón de siguiente (▶▶): Presionar para saltar a la pista, capítulo o título siguiente.
25. Botón de avance rápido (▶▶): Presionar para avanzar rápidamente durante la reproducción.
26. Botón de anterior (◀◀): Presionar para saltar a la pista, capítulo o título anterior.
27. Botón de modo-LCD: Presionar para entrar al menú de despliegue para ajustar el Brillo, Contraste, Color, Rotar, Modo y Restablecer.
28. Botón de Menú/PBC: En el modo de reproducción de un CD/VCD, presionar para activar o desactivar "PBC". En el modo de reproducción de un DVD, presionar para entrar al menú de reproducción de las canciones.
29. Botón de NTSC/PAL: Presionar para seleccionar el modo entre NTSC o PAL.
30. Botón de programa: Presionar para entrar a la interfase para programar la reproducción de las pistas en el orden deseado. Presionar este botón para entrar a la interfase de programación de la reproducción, como es:  
Durante la reproducción de un disco DVD:

Program		
1	.....	.....
2	.....	.....
3	.....	.....
		Play
		Clear program

Durante la reproducción de un disco VCD:

Program		
1	.....	.....
2	.....	.....
3	.....	.....
		Play
		Clear program

Presionar "◀▶▲▼" para seleccionar el punto deseado, entonces presionar los botones numéricos para ajustar el título, o capítulo deseado. Después de terminar la programación de la reproducción, seleccionar "Play" y presionar "OK" para iniciar la reproducción del programa. Para cancelar el programa, seleccionar "Clear programa" y presionar "OK".

Al reproducir discos DVD debe ingresar el título y capítulo; al reproducir discos VCD solo debe ingresar el capítulo

## OPERACIÓN GENERAL

1. Conectar la fuente de alimentación de acuerdo a lo explicado anteriormente y el indicador se enciende en color rojo (modo de espera).
2. Presionar el botón para abrir la tapa del compartimiento del disco y colocar un disco dentro del compartimiento.
3. Colocar el selector de Encendido/Apagado en el modo de ENCENDIDO y el indicador cambia a color verde e inicia la reproducción automáticamente del disco.
4. Presionar "Reproducir/Pausar" para pausar la reproducción del disco. Presionar el botón nuevamente para volver a la reproducción del punto donde se pauso.
5. Presionar "Detener": Para detener la reproducción del disco.
6. Presionar el botón de poder para apagar la unidad y el indicador cambia a color rojo.

## REPRODUCCION DE UN DISCO DVD

1. Abrir la tapa del compartimiento del disco y colocar un disco, cerrar la tapa e inicia automáticamente la reproducción del disco.  
(Al presionar algunos botones estos no son validos y la pantalla despliega "no permitido por el momento")
2. Búsqueda de capítulo/título
  - a) Algunos discos pueden tener varios títulos, cada título tiene varios capítulos. Presionar "Titulo" en el control remoto durante la reproducción, la pantalla despliega el título.
  - b) Presionar "◀ ▶ ▲ ▼" para seleccionar el título deseado, entonces presionar "OK" para iniciar la reproducción.
  - c) Seleccionar el capítulo con los botones numéricos "0-9" y "10+" (el numero ingresado debe ser menor al numero total de capítulos), entonces presionar "ENTER" para iniciar la reproducción.
3. Anterior / Siguiente  
Durante la reproducción, presionar "◀◀ ▶▶" en el control remoto, cada vez que presiona un botón salta hacia atrás o hacia delante un capítulo respectivamente. Presionar "◀◀" para saltar al capítulo anterior, Presionar "▶▶" para saltar al capítulo siguiente.
4. Avance / Regreso rápido
  - a) Presionar "◀◀▶▶" para activar la función de regreso o avance rápido.
  - b) Cada vez que presiona "◀◀", la velocidad de regreso rápido varia de X2, X6, X8, X16 y reproducción normal.
  - c) Cada vez que presiona "▶▶", la velocidad de avance rápido varia de X2, X6, X8, X16 y reproducción normal.

## REPRODUCCION DE UN DISCO DVD

### 5. Pausar la reproducción del disco

- a) En el modo de reproducción, presionar "▶||" para pausarla.
- b) Presionar "▶||" nuevamente para volver a la reproducción desde el punto donde se pauso.

### 6. Detener la reproducción

- a) En el modo de reproducción, presionar "■" una vez para detener la reproducción, presionar "▶||" para volver a la reproducción desde el punto donde se detuvo. Presionar "■" dos veces para detener la reproducción totalmente y borrar la memoria del ultimo punto, presionar "▶||" para volver a la reproducción desde el punto inicial.

### 7. Cambiando el subtítulo

Esta función solo esta disponible cuando existen dos o mas idiomas de subtítulo grabados en el disco. Presionar "Subtítulo" en el control remoto durante la reproducción para seleccionar uno de los idiomas de subtítulo disponible. Al presionar repetidamente el botón, el idioma del subtítulo cambia entre Inglés, Español, Frances, Chino, Subtítulo activado, Subtítulo desactivado.

Algunos discos tienen grabados la mayoría de 32 idiomas.

Favor de ver la mayoría de las marcas de los subtítulos en el disco, el número indica cuantos idiomas están grabados.

### 8. Cambiando el idioma de audio

Esta función solo esta disponible cuando existen dos o más idiomas de audio grabados en el disco.

Presionar "Audio" en el control remoto durante la reproducción para seleccionar uno de los idiomas de audio disponible.

Algunos discos tienen grabados 8 idiomas de audio.

Favor de ver la mayoría de las marcas de los subtítulos en el disco, el número indica cuantos idiomas están grabados.

La función no puede operar con algunos discos o durante algunos procesos. Esto puede requerir más tiempo para seleccionar entre los idiomas de audio.

### 9. Función de repetir

Presionar "Repetir" en el control remoto para seleccionar el modo de repetición.

Presionar la primera vez para desplegar el modo de repetición actual, seleccionar el modo de repetición de al presionar el botón repetidamente de acuerdo a la siguiente secuencia: Repetir todo → Repetir capítulo → Repetir título.

## REPRODUCCION DE UN DISCO DVD

### 10. Repetir una sección A-B

Presionar "A-B" en el control remoto para seleccionar una sección deseada dentro de un capítulo, título o pista.

Presionar una vez para definir el punto inicial "A".  
Presionar nuevamente para definir el punto final "B".  
Presionar por tercera vez para cancelar la función.

11. Despliegue del estado de reproducción en pantalla  
Durante la reproducción presionar "Despliegue" en el control remoto, entonces la pantalla despliega el estado de reproducción: Tiempo de reproducción del título, tiempo restante del título, tiempo de reproducción del capítulo, tiempo restante del capítulo

## FUNCIÓN DEL MENÚ DE AJUSTES DEL DV

Presionar "Ajustes" en el control remoto o la unidad, la pantalla despliega la interfase del menú de ajustes.  
Presionar "◀▶▲▼" para desplazarse y seleccionar la opción deseada y presionar "OK" para confirmarlo. Presionar "Ajustes" por segunda vez para salir de la interfase del menú de ajustes.

### 1. Ajustes del idioma

- a) Idioma  
Inglés  
Francés  
Español  
Alemán  
Italiano  
Portugués  
Sueco  
Chino

- b) Subtítulo  
Inglés  
Francés  
Español  
Alemán  
Italiano  
Portugués  
Sueco  
Chino  
Automático  
Desactivado
- c) Subtítulo DIVX  
ASCII  
Unicode  
Turco  
Europa central  
Chino

## FUNCIÓN DEL MENÚ DE AJUSTES DEL DV

- d) Audio
  - Inglés
  - Frances
  - Español
  - Alemán
  - Italiano
  - Portugués
  - Sueco
  - Chino

- e) Menú del DVD
  - Inglés
  - Frances
  - Español
  - Alemán
  - Italiano
  - Portugués
  - Sueco
  - Chino

### 2. Ajustes de video

- a) Rango de pantalla
  - 4:3 LB
  - 4:3 PS
  - 16:9
- b) Sistema de TV
  - NTSC
  - PAL
  - Automático

### 3. Ajustes de audio

- a) Salida digital
  - Desactivado
  - PCM
  - Todo
- b) Modo de noche
  - Desactivado
  - Activado
- c) Muestreo
  - Desactivado
  - Activado
- d) Ecualizador
  - Desactivado
  - Clásico
  - Rock
  - Jazz
  - Popular

### 4. Mezcla de ajustes

- a) Ajustes predeterminado
  - Seleccionar "Usar ajustes predeterminado", entonces presionar "OK", la unidad despliega la pregunta "¿Esta seguro de restablecer los ajustes?", entonces seleccionar "Si" o "No".
- b) Protector de pantalla
  - Desactivado
  - Activado
- c) Habilitar
  - Desactivado
  - Activado

## REPRODUCCION DE UN DISCO VCD

Después de seleccionar el disco, el modo de reproducción automático. La función puede o no trabajar de acuerdo al programa en el disco. Si el disco VCD esta con la función de PBC activada, este inicia la reproducción después de desplegar el menú de reproducción.

1. Reproducción del Titulo/Capitulo (el disco debe contar con la función de PBC y esta debe ser activada). Durante la reproducción, presionar "Menú" y la pantalla despliega el titulo. Presionar "0-9" y "10+" para seleccionar el capitulo deseado (el numero ingresado debe ser menor al numero total de capítulos).
2. Anterior / Siguiente  
Durante la reproducción, presionar "◀◀▶▶" en el control remoto, cada vez que presiona un botón salta hacia atrás o hacia delante un capitulo respectivamente.  
Presionar "◀◀" para saltar al capitulo anterior, Presionar "▶▶" para saltar al capitulo siguiente
3. Avance / Regreso rápido
  - a. Presionar "◀◀▶▶" para activar la función de regreso o avance rápido.
  - b. Cada vez que presiona "◀◀", la velocidad de regreso rápido varia de X2, X6, X8, X16 y reproducción normal.
  - c. Cada vez que presiona "▶▶", la velocidad de avance rápido varia de X2, X6, X8, X16 y reproducción normal.

4. Pausar la reproducción del disco
  - a. En el modo de reproducción, presionar "⏸" para pausarla.
  - b. Presionar "▶▶" nuevamente para volver a la reproducción desde el punto donde se pauso.
5. Detener la reproducción  
En el modo de reproducción, presionar "■" una vez para detener la reproducción, presionar "▶▶" para volver a la reproducción desde el punto donde se detuvo. Presionar "■" dos veces para detener la reproducción totalmente y borrar la memoria del ultimo punto, presionar "▶▶" para volver a la reproducción desde el punto inicial.
6. Función de repetir  
Presionar "Repetir" en el control remoto para seleccionar el modo de repetición.  
Presionar la primera vez para desplegar el modo de repetición actual, seleccionar el modo de repetición de al presionar el botón repetidamente de acuerdo a la siguiente secuencia: Repetir todo → Repetir capitulo → Repetir titulo.
7. Repetir una sección A-B  
Presionar "A-B" en el control remoto para seleccionar una sección deseada dentro de una capitulo, titulo o pista.  
Presionar una vez para definir el punto inicial "A".  
Presionar nuevamente para definir el punto final "B".  
Presionar por tercera vez para cancelar la función.



## REPRODUCCION DE UN DISCO VCD

8. Despliegue del estado de reproducción en pantalla  
Durante la reproducción presionar "Despliegue" en el control remoto, entonces la pantalla despliega el estado de reproducción: Tiempo de reproducción del título, tiempo restante del título, tiempo de reproducción del capítulo, tiempo restante del capítulo.
9. Cambiando la salida de audio  
Presionar "Audio" en el control remoto durante la reproducción repetidamente para seleccionar una de las salidas de audio de Izquierdo, Derecho, Mezcla y Estereo.

## REPRODUCCION DE UN DISCO JPEG

Los discos con archivos con formato JPEG esta formado por carpetas, cada carpeta contienen varios archivos de imágenes JPEG.  
Después de colocar un disco y cerrar la tapa del compartimiento, la unidad reproduce automáticamente los archivos de imágenes JPEG.

Presionar "◀, ▶, ▲, ▼" en el control remoto para seleccionar un archivo diferente.  
Presionar "OK" para reproducir el archivo seleccionado.  
Presionar "◀" para regresar al menú.

## REPRODUCCION DE UN DISCO MP3/MP4

1. Un disco con archivos de formato MP3 o MP4 esta formado por carpetas, cada carpeta contienen varios archivos en formato MP3 o MP4.  
Después de colocar un disco y cerrar la tapa del compartimiento, la unidad reproduce automáticamente los archivos de imágenes MP3 o MP4.  
Presionar "▲, ▼" en el control remoto para seleccionar la carpeta deseada y presionar "OK" para entrar en la carpeta.  
Presionar "◀, ▶, ▲, ▼" en el control remoto para seleccionar el archivo deseado y presionar "OK" para iniciar la reproducción del archivo seleccionado.
2. Avance / Regreso rápido
  - a. Presionar "◀◀◀▶▶▶" para activar la función de regreso o avance rápido.
  - b. Cada vez que presiona "◀◀", la velocidad de regreso rápido varia de X2, X6, X8, X16 y reproducción normal.
  - c. Cada vez que presiona "▶▶", la velocidad de avance rápido varia de X2, X6, X8, X16 y reproducción normal.

Presionar "◀" para regresar a la carpeta.

## REPRODUCCIÓN DE UN DISCO MP3/MP4

3. Pausar la reproducción del disco
  - a. En el modo de reproducción, presionar "▶||" para pausarla.
  - b. Presionar "||" nuevamente para volver a la reproducción desde el punto donde se pauso.
4. Detener la reproducción  
En el modo de reproducción, presionar "■" una vez para detener la reproducción, presionar "▶||" para volver a la reproducción desde el punto donde se detuvo. Presionar "■" dos veces para detener la reproducción totalmente y borrar la memoria del último punto, presionar "▶||" para volver a la reproducción desde el punto inicial.
5. Función de repetir  
Durante la reproducción, presionar "Repetir" en el control remoto para seleccionar el modo de repetición. Presionar una vez para seleccionar repetir una pista. Presionar dos veces para repetir directorio o carpeta.

Presionar tres veces para repetir todas las pistas.  
Presionar cuatro veces para cancelar la función.  
Modo de repetición: Desactivar → Repetir una → Repetir directorio/carpeta → Repetir todo
6. Repetir una sección A-B  
Presionar "A-B" en el control remoto para seleccionar una sección deseada dentro de un capítulo, título o pista.  
Presionar una vez para definir el punto inicial "A".  
Presionar nuevamente para definir el punto final "B".  
Presionar por tercera vez para cancelar la función.
7. Despliegue del estado de reproducción en pantalla  
Durante el modo de reproducción o detenido presionar "Despliegue" en el control remoto, entonces la pantalla despliega el estado de reproducción: Tiempo de reproducción de la pista o tiempo restante de la pista.

## REPRODUCCIÓN DE UN DISCO CD

Después de colocar un disco y cerrar la tapa del compartimiento, la unidad reproduce automáticamente el disco (si presiona un botón en el control remoto o la unidad sin ninguna función, la pantalla despliega "No permitido al momento")

1. Seleccionar el número de pista  
Presionar "0-9" y "10+" en el control remoto para seleccionar la pista de acuerdo al número

(Si el número ingresado es mayor al número total de pistas en el disco, el número es invalidado).

Ejemplo:

Para seleccionar la pista 5, presionar "5";

Para seleccionar la pista 22, presionar "10+" dos veces y entonces presionar "2"

## REPRODUCCION DE UN DISCO CD

2. Anterior / Siguiente  
Durante la reproducción, presionar "◀◀ o ▶▶" en el control remoto, cada vez que presiona un botón salta hacia atrás o hacia delante una pista respectivamente. Presionar "◀◀" para saltar a la pista anterior, Presionar "▶▶" para saltar a la pista siguiente.
3. Avance / Regreso rápido
  - a. Presionar "◀◀ o ▶▶" para activar la función de regreso o avance rápido.
  - b. Cada vez que presiona "◀◀", la velocidad de regreso rápido varia de X2, X6, X8, X16 y reproducción normal.
  - c. Cada vez que presiona "▶▶", la velocidad de avance rápido varia de X2, X6, X8, X16 y reproducción normal.
4. Pausar la reproducción del disco
  - a. En el modo de reproducción, presionar "⏸" para pausarla.
  - b. Presionar "⏸" nuevamente para volver a la reproducción desde el punto donde se pauso.
5. Detener la reproducción  
En el modo de reproducción, presionar "■" una vez para detener la reproducción, presionar "⏸" para volver a la reproducción desde el punto donde se detuvo. Presionar "■" dos veces para detener la reproducción totalmente y borrar la memoria del ultimo punto, presionar "⏸" para volver a la reproducción desde el punto inicial.
6. Función de repetir  
Durante la reproducción, presionar "Repetir" en el control remoto para seleccionar el modo de repetición. Presionar una vez para seleccionar repetir la pista actual. Presionar dos veces para repetir todas las pistas del disco. Presionar tres veces para cancelar la función de repetición.  
Modos de repetición: Desactivar → Repetir una → Repetir todo.
7. Repetir una sección A-B  
Presionar "A-B" en el control remoto para seleccionar una sección deseada dentro de un capítulo, título o pista. Presionar una vez para definir el punto inicial "A". Presionar nuevamente para definir el punto final "B". Presionar por tercera vez para cancelar la función.
8. Despliegue del estado de reproducción en pantalla  
Durante el modo de reproducción presionar "Despliegue" en el control remoto, entonces la pantalla despliega el tiempo de reproducción de la pista actual, el tiempo restante de la pista, el tiempo de reproducción de Todo el disco y el tiempo restante del disco.

## REPRODUCCION DE UN TARJETA DE MEMORIA SD/MMC O MEMORIA USB

Insertar la tarjeta de memoria SD/MMC a la ranura para tarjeta de la unidad o la memoria USB al puerto USB de la unidad, presionar el botón de USB/TARJETA en la unidad o control remoto para seleccionar la Tarjeta o memoria USB, entonces la unidad leerá la información de la tarjeta o memoria USB. Los pasos de operación son similares a la operación de un disco DVD.

## ESPECIFICACIONES

Formatos compatibles:  
Discos DVD / VCD / MP3

Modo: PAL / NTSC / AUTOMATICO

Tamaño de la pantalla: 17,78 cm (7")

Fuente de alimentación de Vcc: 12 Vcc 1,5A

Fuente de alimentación de batería recargable:  
7,4 Vcc 1750 mAh

Potencia de salida: 2 x 0,8 W

Temperatura de operación: 5 -35 °C

Dimensiones: 210 x 164 x 41 mm aproximadamente

Peso: 822,5 g (sin baterías) aproximadamente

Accesorios:  
Manual de operación  
Control remoto  
Cable de Audio/Video  
Adaptador ca/cc  
Adaptador para automóvil cc/cc  
Garantía

**LAS ESPECIFICACIONES Y EL DISEÑO DE ESTE PRODUCTO ESTÁN SUJETOS A CAMBIOS SIN PREVIO AVISO PARA MEJORAS DE LOS MISMOS.**